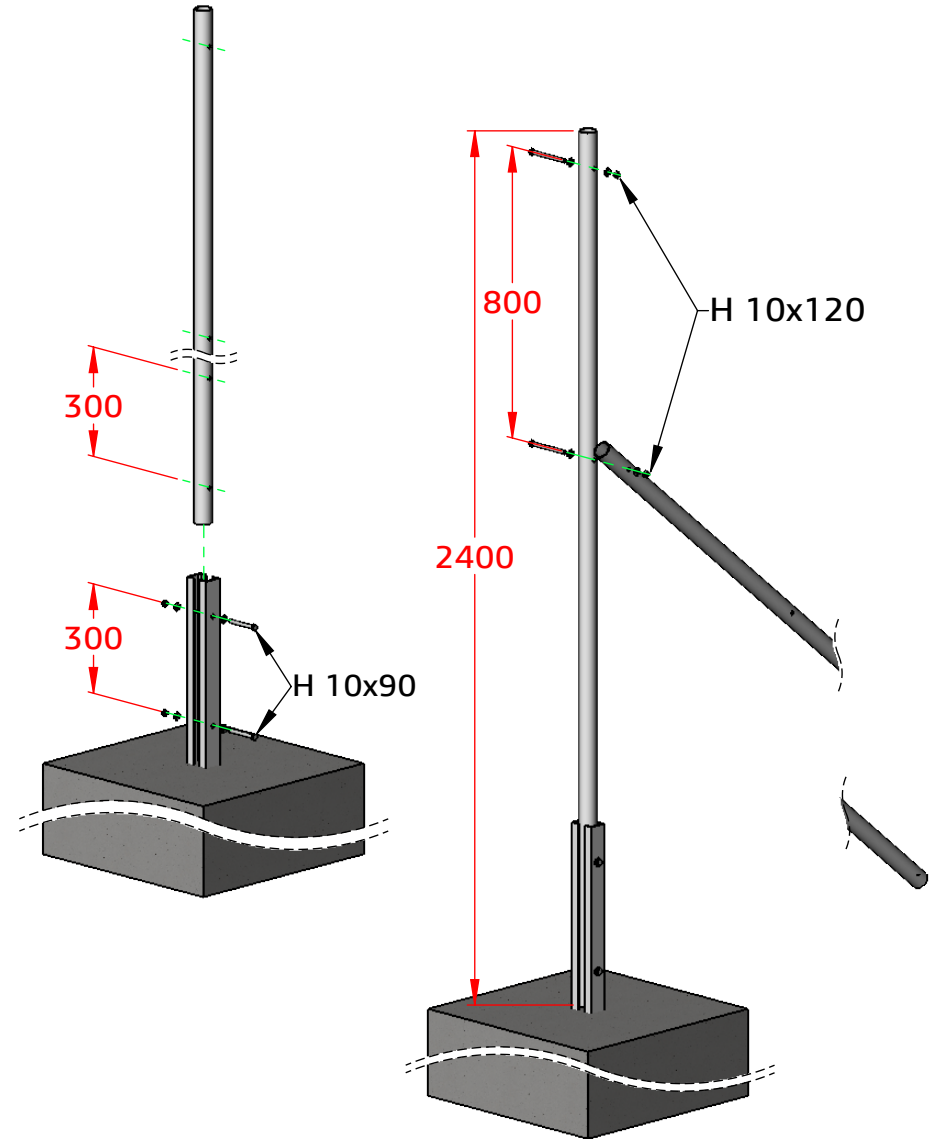
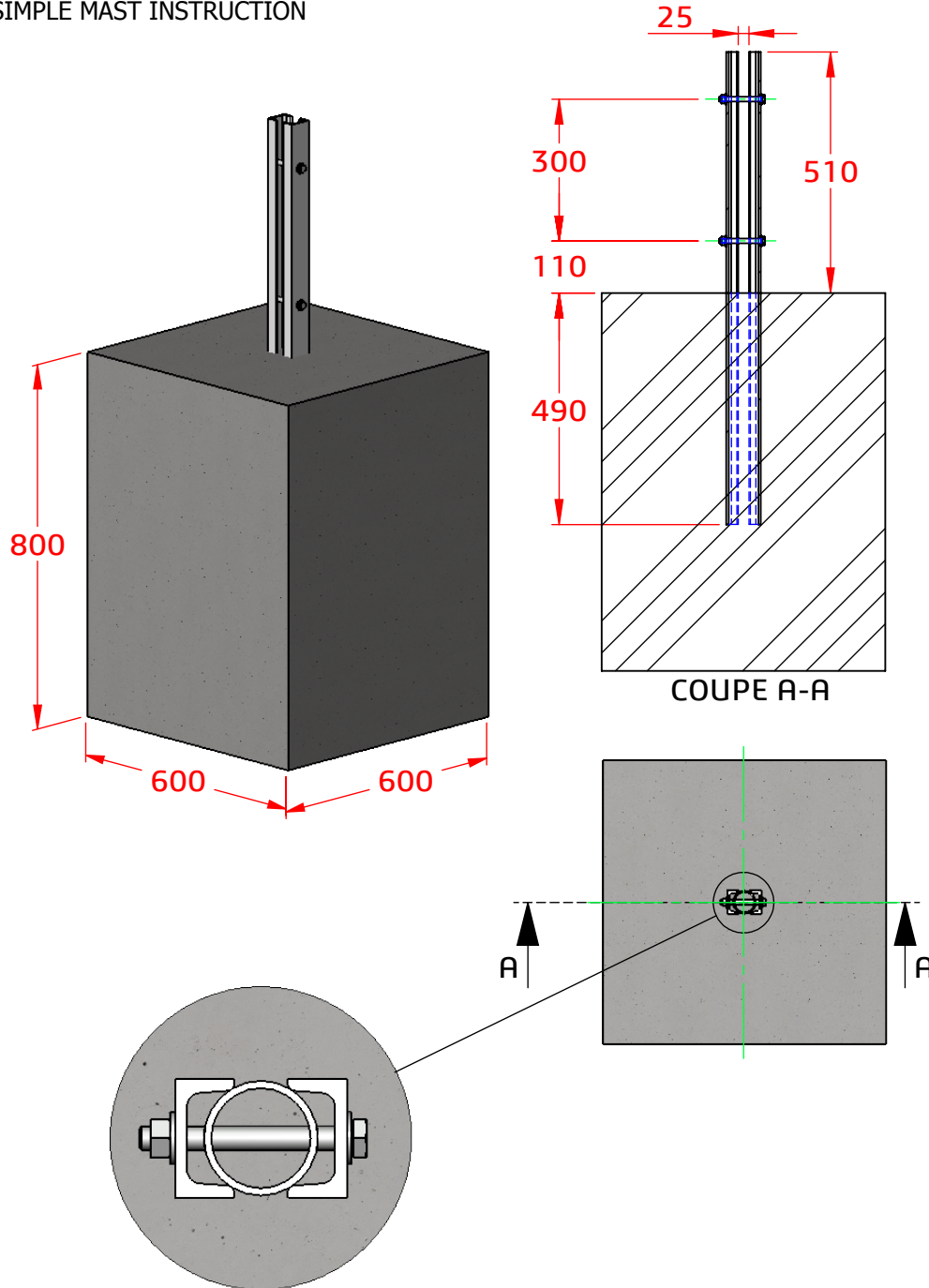


NOTICE MAT SIMPLE BASCULANT
SIMPLE MAST INSTRUCTION

DESIGNATION	QTY	DESIGNATION
TUBE Ø50 lg.2400	2	TUBE Ø50 lg.2400
FER U	2	U METALLIC
VIS TH M10x120	2	SCREW TH M10x120
VIS TH M10x90	2	SCREW TH M10x90
RONDELLE M10	8	WASHER M10
ECROU M10	4	NUT M10



NOTICE MAT SIMPLE BASCULANT
SIMPLE MAST INSTRUCTION

DESIGNATION	QTY	DESIGNATION
VIS TH M6x12	1	SCREW TH M6x12
COUDE GIROUETTE SIMPLE	1	ARM
VIS TH M6x25	1	SCREW TH M6x25
ECROU FREIN M6	1	BRAKE NUT M6
CERCEAU SIMPLE	1	SIMPLE HOOP
Manche à vent	1	WINDSOCK

