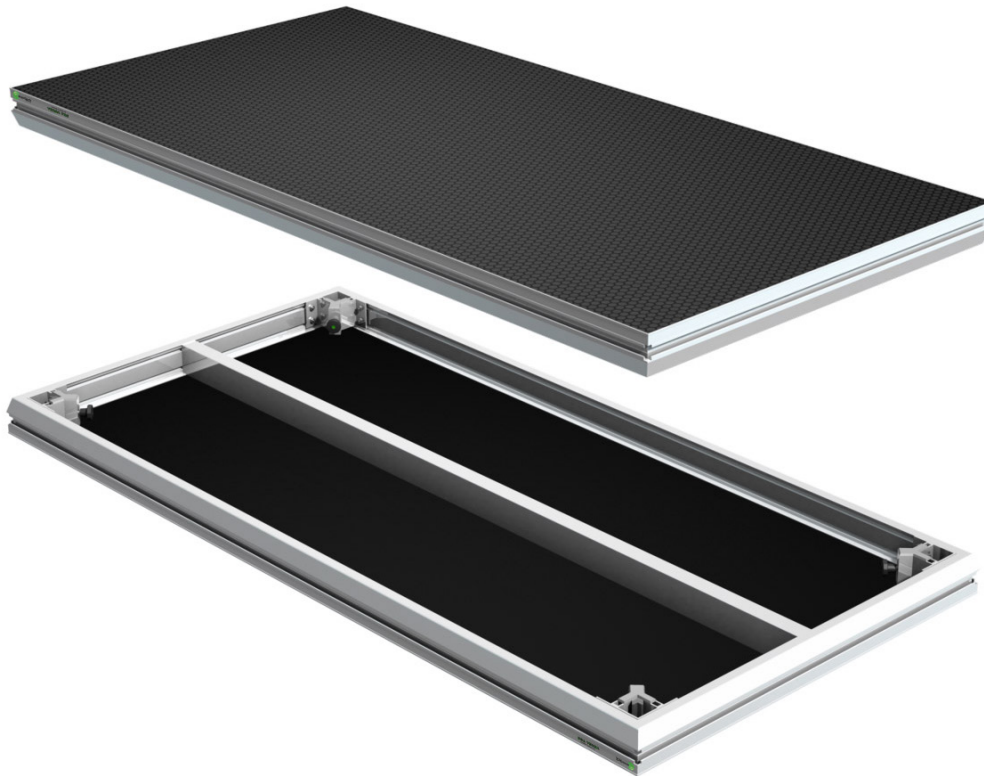




## Mobile stage system



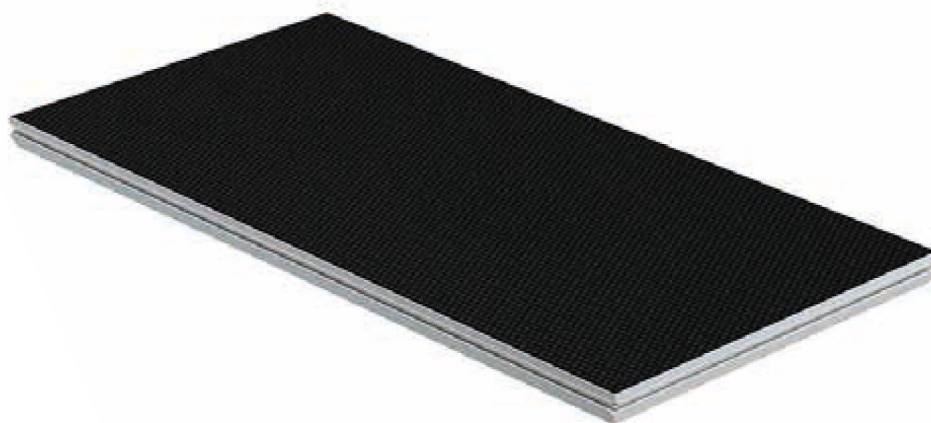
### Stage systems

- > Strength, durability, stability, lightweight and total flexibility.
- > Compatibility, shape improvement. Low storage costs.
- > It's time to build something better!

*Wir schaffen Begeisterung!*

**BOFA**

# Stage decks



Compatibility – with other leading brands.  
Everdeck gives you full flexibility!

Shape improvement – angle on the outside  
compatible with scaffold beam without  
using any special adaptors.

Low storage costs – only 9cm stacking height

## Technical details

<b>Standard sizes:</b>	2 × 1m 2 × 0.5m 1 × 1m 1 × 0.5m
<b>Capacity:</b>	Loading according DIN 15921 Vertical: $q=750\text{kg/m}^2$ Horizontal: $q/20$
<b>Available finishes:</b>	black HEXA (Standard) black brown natural wood
<b>Weight:</b>	Only 32kg for 2x1m deck
<b>Stability:</b>	2 times lower deflection
<b>Flexibility:</b>	Compatible profile

# BOFA

**BOFA-Doublet GmbH**  
Römerstraße 303 - 305  
D-53117 Bonn  
Telefon + 49 (0)228 6834 - 0  
Telefax + 49 (0)228 670016  
E-Mail: [info@bofa.de](mailto:info@bofa.de)

Member of the Doublet Group **DOUBLET**

# Transport Trolley



Two models available:

**Deck trolley:**

Transport trolley enables to carry up to 15 pcs of 2x1m stage decks.

**Door transport trolley:**

Transport trolley for up to 6 pcs of stage decks in vertical position.

## Technical details

**Deck trolley:**

up to 15 pcs of 2 x 1m stage decks.

**Size:** 206 x 101 x 30 cm

**Door transport trolley:**

up to 6 pcs of 2 x 1 m stage decks in vertical position.

**Weight:** 25kg.

**Size:** 206 x 60 x 102 cm

# BOFA

**BOFA-Doublet GmbH**

Römerstraße 303 - 305

D-53117 Bonn

Telefon + 49 (0)228 6834 - 0

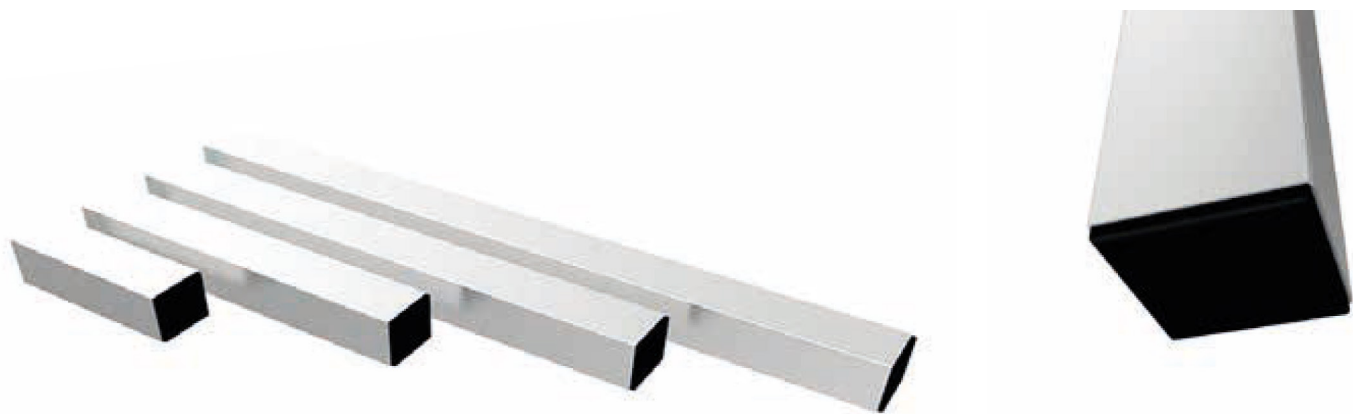
Telefax + 49 (0)228 670016

E-Mail: [info@bofa.de](mailto:info@bofa.de)

Member of the Doublet Group

**DOUBLET**

# Fixed Legs



## Technical details

**Height:** 20 cm  
40 cm  
60 cm  
80 cm  
100 cm

**Profile:** 60 x 60 mm

**Use:** interior

Plastic cap to protect the floor included.

# BOFA

**BOFA-Doublet GmbH**  
Römerstraße 303 - 305  
D-53117 Bonn  
Telefon + 49 (0)228 6834 - 0  
Telefax + 49 (0)228 670016  
E-Mail: [info@bofa.de](mailto:info@bofa.de)

# Telescopic Legs



Screw with self locking nut to fasten the leg after positioning.  
Solid grey rubber to protect the floor.  
Handy knob enables easy and fluent regulation  
Height scale for convenient use.

## Technical details

**Height:** 40-60 cm  
60-100 cm

**Profile:** 60 x 60 mm

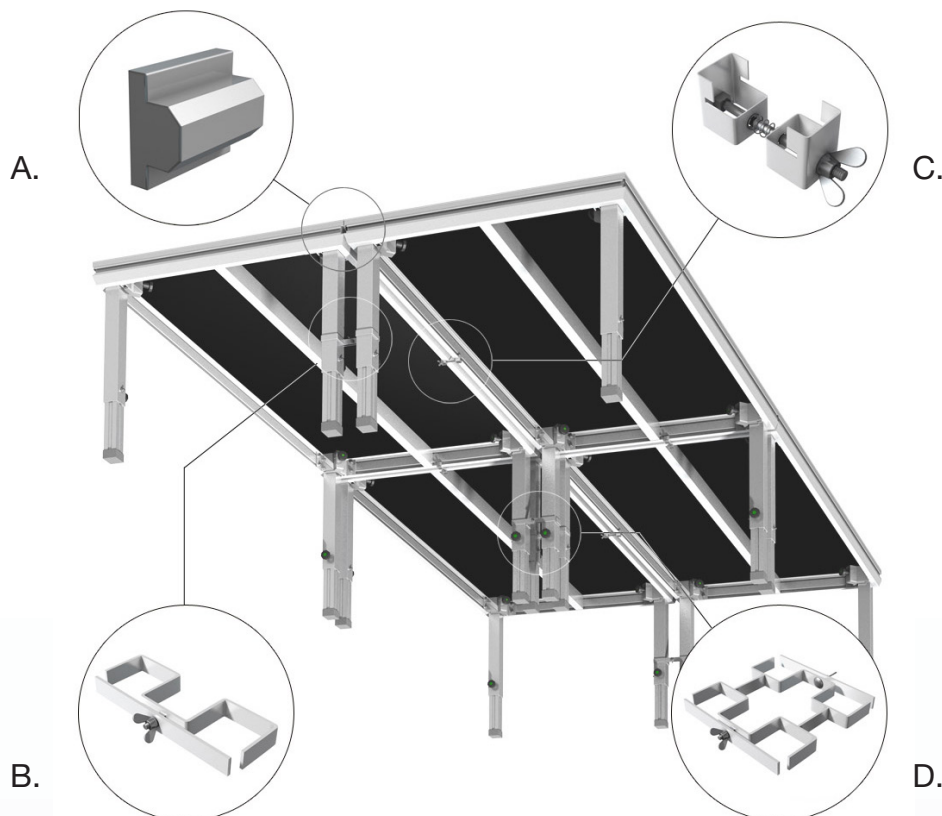
**Use:** interior

# BOFA

**BOFA-Doublet GmbH**  
Römerstraße 303 - 305  
D-53117 Bonn  
Telefon + 49 (0)228 6834 - 0  
Telefax + 49 (0)228 670016  
E-Mail: [info@bofa.de](mailto:info@bofa.de)

Member of the Doublet Group **DOUBLET**

# Accessories



You need only 4 loose connection accessories to build a whole stage system. It makes your assembly much easier and saves your time.

## Technical details

### A. Levelling insert:

Levelling insert to keep adjacent decks on the same level on an uneven ground.

### B. Leg to leg clamp:

Steel clamp for connection between 2 adjacent stage legs.  
Measurements: 90 x 202 x 40 mm

### C. Deck to deck clamp:

Connection clamp to connect two adjacent stage decks.  
Recommended quantities – 2 pcs for 2m connection side and 1 pcs for 1m side.

### D. Four leg clamp:

Steel clamp for connection between 4 adjacent legs.  
Measurements: 248 x 202 x 20 mm

# BOFA

**BOFA-Doublet GmbH**  
Römerstraße 303 - 305  
D-53117 Bonn  
Telefon + 49 (0)228 6834 - 0  
Telefax + 49 (0)228 670016  
E-Mail: [info@bofa.de](mailto:info@bofa.de)

Member of the Doublet Group **DOUBLET**